

MPK-P1

SERVICE MANUAL

Ver 1.0 2000.10

*US Model
Canadian Model
AEP Model*



SPECIFICATIONS

Material	Plastic (PC, ABS), stainless steel, glass
Water-resistance	O-ring, buckle
Pressure-resistance	To a depth of 30 m (98 feet) underwater
Switches that can be externally operated	Power, mode, shutter, zoom, flash, macro, control
Dimension	Approx. 150 x 80 x 86 mm (6 x 3 1/4 x 3 1/2 inches) (w / h / d)
Mass	Approx. 300 g (11 oz) (marine pack only)
Supplied accessories	Neck strap (1) Grease (1) Anti-fogging lens solution (1) Operating Instructions (1)

Design and specifications subject to change without notice.

Main Feature

Useable at a depth as deep as 30 meters (98 feet) underwater.

For instructions on using your digital still camera with this pack, refer to the operating instructions of the digital still camera.

This marine pack MPK-P1 is exclusively for use with the Sony Digital Still Camera DSC-P1, enabling the digital still camera to be used in the rain or at the beach as it is water- and moisture-resistant.

Notice

- Before using the digital still camera underwater, first take the marine pack to a depth of about 1 m (3.3 feet) and check that the digital still camera is operating properly and that the marine pack is not leaking, then commence your dive.
- In the unlikely event that a malfunction of the marine pack causes damage due to water leakage, Sony does not guarantee against damages to the equipment contained in it (digital still camera, battery, etc.) and the recorded contents, nor expenses entailed in the photography.

MARINE PACK

SONY[®]

SECTION 1 EXPLODED VIEW

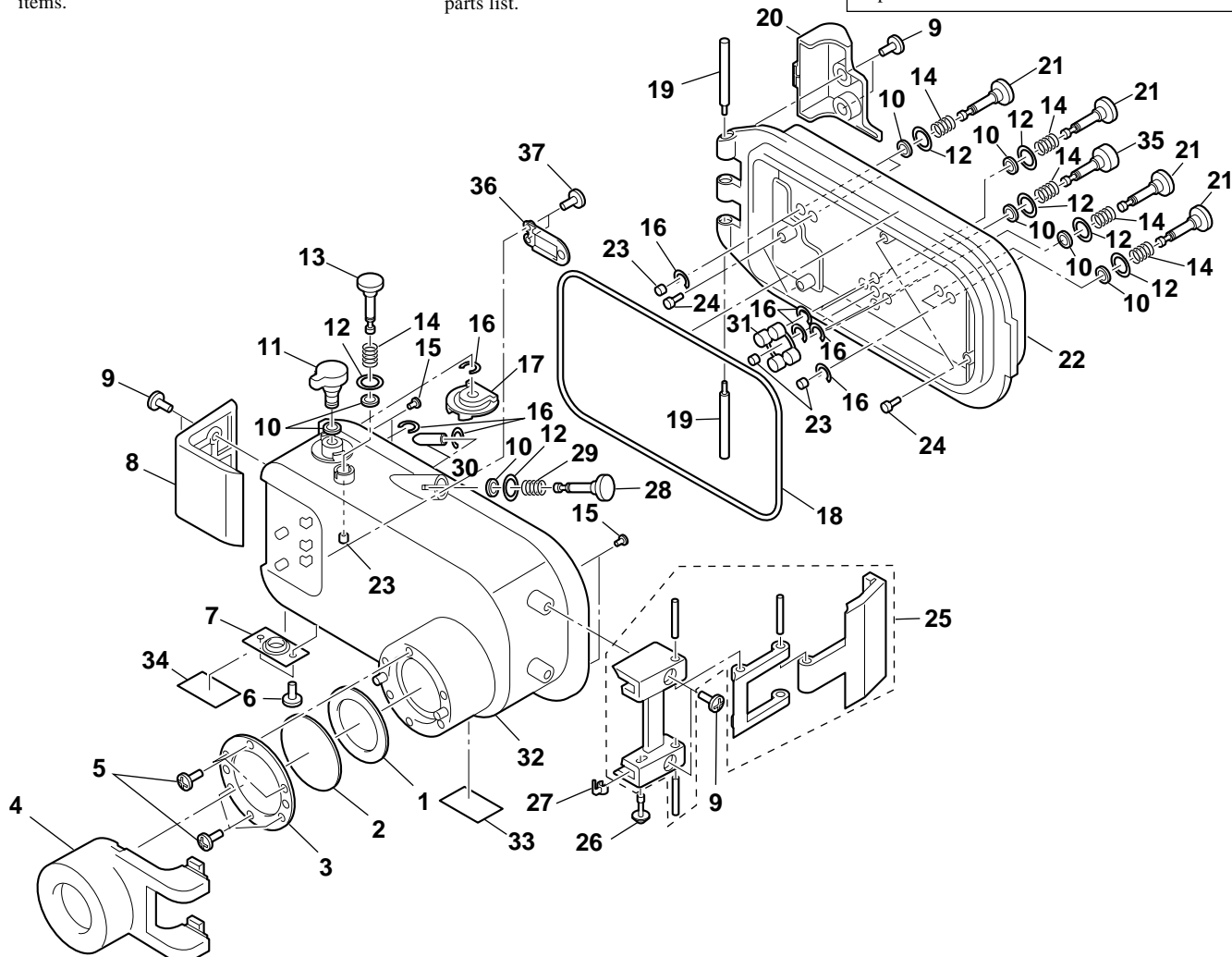
NOTE :

- -XX, -X mean standardized parts, so they may have some difference from the original one.
- Items marked “ * ” are not stocked since they are seldom required for routine service. Some delay should be anticipated when ordering these items.

- The mechanical parts with no reference number in the exploded views are not supplied.
- Hardware (# mark) list and accessories and packing materials are given in the last of this parts list.

Note :

Items marked “ ! ” are parts in relation to waterproof. Replace these components with Sony parts. Be sure to check up waterproofing after repair.



Ref. No.	Part No.	Description	Remark	Ref. No.	Part No.	Description	Remark
/ 1	3-065-005-01	PACKING, FRONT GLASS		/ 26	3-065-013-01	SHAFT, LOCK	
/ 2	3-065-003-01	GLASS, FRONT		/ 27	3-065-014-01	SPRING, LOCK	
/ 3	3-065-004-01	RETAINER, FRONT GLASS		/ 28	3-065-023-01	BUTTON, POWER	
4	3-065-006-01	PROTECTOR, FRONT		/ 29	3-065-024-01	SPRING, POWER BUTTON	
/ 5	2-115-925-41	SCREW +P 2X6		30	3-065-025-01	ARM, POWER	
6	3-951-814-11	SCREW (2.6X8) (TYPE 2), +K		31	3-065-030-01	RUBBER (B), BUTTON	
7	3-065-007-01	PLATE, TRIPOD SCREW		/ 32	3-065-002-01	CABINET, FRONT	
8	3-065-015-01	GRIP, FRONT		* 33	3-065-042-01	LABEL, CAUTION	
9	2-398-048-11	SCREW (2.6X8), TAPPING, +P		* 34	3-066-212-01	LABEL, O RING CAUTION	
/ 10	3-977-357-01	O RING (P3)		/ 35	3-065-016-01	BUTTON (B)	
/ 11	3-065-021-01	LEVER, MODE		36	3-065-994-01	PLATE, LIGHT INTERCEPTION	
/ 12	3-065-018-01	RETAINER, O RING		37	2-115-925-31	SCREW +P M2x4	
/ 13	3-065-507-01	BUTTON, SHUTTER		ACCESSORIES & PACKING MATERIALS			
/ 14	3-065-017-01	SPRING, BUTTON		*****			
15	3-065-026-01	CUSHION (F)		2-115-921-01	GREASE		
/ 16	3-065-020-01	E RING 2		3-065-130-31	STRAP (B), NECK		
/ 17	3-065-022-01	ARM, SELECT		3-065-038-11	MANUAL, INSTRUCTION (ENGLISH, SPANISH, FRENCH, DUTCH) (US, Canadian, AEP)		
/ 18	3-065-033-01	O RING AS568 156		3-065-038-21	MANUAL, INSTRUCTION (GERMAN, SWEDISH, ITALIAN, PORTUGUESE) (AEP)		
/ 19	3-065-032-01	SHAFT, HINGE		3-065-038-31	MANUAL, INSTRUCTION (RUSSIAN, ARABIC, CHINESE, KOREAN) (AEP)		
20	3-065-028-01	GRIP, REAR		3-941-348-01	SPACER, PACKING		
/ 21	3-065-029-01	BUTTON (A)		3-979-397-01	STOPPER LIQUID		
/ 22	3-065-027-01	CABINET, REAR					
23	3-065-019-01	RUBBER (A), BUTTON					
24	3-065-031-01	CUSHION (R)					
/ 25	X-3951-211-1	BUCKLE ASSY					

Sony Corporation

Personal VIDEO Products Company